

Roland Authorized Accessories

Effective 08/14/07

Models



- GX-300 CAMM-1 Pro Cutter \$3,295
- GX-400 CAMM-1 Pro Cutter \$4,295
- GX-500 CAMM-1 Pro Cutter \$5,295

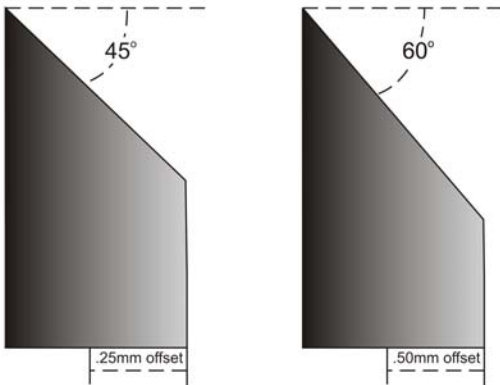


- GX-24 CAMM-1 Desktop Cutter \$1,995



- SV-8 STIKA Portable Cutter \$499
- SV-12 STIKA Portable Cutter \$699
- SV-15 STIKA Portable Cutter \$999

Blades



- | | | |
|------------|--|----------|
| ZEC-U1005 | 45 Degree Carbide Cutter, .25mm offset, Pack of 5 | \$109.99 |
| ZEC-U5025 | 45 Degree Carbide Cutter, .25mm offset, Pack of 5 | \$149.99 |
| ZEC-U1715 | 45 Degree Carbide Cutter, .25mm offset, Pack of 5 | \$149.99 |
| ZEC-C145-1 | 45 Degree Low Cost Carbide Cutter, .25mm offset, Pack of 1 | \$18.99 |
| ZEC-C145-3 | 45 Degree Low Cost Carbide Cutter, .25mm offset, Pack of 3 | \$44.99 |
| ZEC-C145-5 | 45 Degree Low Cost Carbide Cutter, .25mm offset, Pack of 5 | \$69.99 |
| ZEC-U3050 | 60 Degree Carbide Cutter, .5mm offset, Pack of 5 | \$149.99 |
| ZEC-U3100 | 60 Degree Carbide Cutter, 1.0mm offset, Pack of 5 | \$149.99 |
| ZEC-C160-1 | 60 Degree Low Cost Carbide Cutter, .50mm offset, Pack of 1 | \$21.99 |
| ZEC-C160-3 | 60 Degree Low Cost Carbide Cutter, .50mm offset, Pack of 3 | \$45.99 |

Blade Holders



XD-CH2 Adjustable Tip, Alloy \$69.99



XD-CH3 Adjustable Tip, Ceramic \$49.99

Cutter Protection Strips

Part #	Model	Price
XD-CPS-24	GX-24	\$12.30
XD-CPS-95	PNC-1100	\$9.99
XD-CPS-6	CX-12, CM-12	\$7.50
XD-CPS-5	CX-24, CM-24, PNC-5000, PC-50, PC-60	\$9.99
XD-CPS-9	PNC-900	\$7.50
XD-CPS-91	PNC-910	\$7.50
XD-CPS-95	PNC-950	\$9.99
XD-CPS-96	PNC-960	\$9.99
XD-CPS-1P	PNC-1050	\$7.50
XD-CPS-12	PNC-1200	\$9.99
XD-CPS-121	PNC-1210	\$9.99
XD-CPS-141	PNC-1410	\$9.99
XD-CPS-18	PNC-1800	\$12.50
XD-CPS-185	PNC-1850	\$12.50
XD-CPS-186	PNC-1860, CJ-70, CJ-60	\$12.50
XD-CPS-30	CX-300, CM-300, PC-600	\$10.00
XD-CPS-40	CX-400, CM-400	\$10.00
XD-CPS-50	CX-500, CM-500	\$12.5
XD-CPS-GX3	GX-300	\$10.00
XD-CPS-GX4	GX-400	\$10.00
XD-CPS-GX5	GX-500	\$10.00
XD-CPS-7	STX-7	\$5.00
XD-CPS-8	STX-8	\$5.00
XD-CPS-X8	SV-8, SX-8	\$9.99
XD-CPS-X12	SV-12, SX-12	\$9.99
XD-CPS-X15	SV-15, SX-15	\$9.99



Cables



XY-IPC-2 6' Parallel for PC \$24.99



XY-RS-23A 6' Serial for PC \$24.99



XY-2606 6' Serial for Mac \$24.99



XY-USB-10 10' USB Cable for PC/MAC \$24.99

Miscellaneous

XD-CPNB-1 Nut & Bolt Assembly for Blade Holder \$6.99



US-BLADE-KB Replacement Sheet Cutter Blades \$5.95

RP-NTT-01 Needle Tip Tweezers \$11.50



HS-300 Roll Hanger Set for 30" CAMM-1 Pro \$179.00

HS-400 Roll Hanger Set for 40" CAMM-1 Pro \$179.00

HS-500 Roll Hanger Set for 50" CAMM-1 Pro \$179.00



GXS-24 Stand for GX-24 \$249



GXBKT-24 Media Basket for GXS-24 \$295



GXBKT-300 Media Basket for 30" CAMM-1 Pro \$295

GXBKT-400 Media Basket for 40" CAMM-1 Pro \$340

GXBKT-500 Media Basket for 50" CAMM-1 Pro \$380

Miscellaneous

RASD-CSWIN-01

CutStudio Software for Legacy Cutters

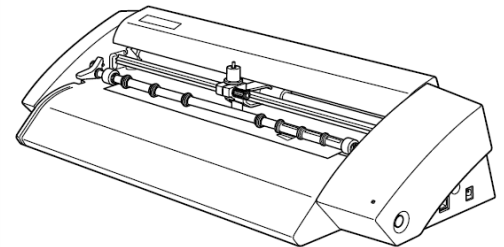
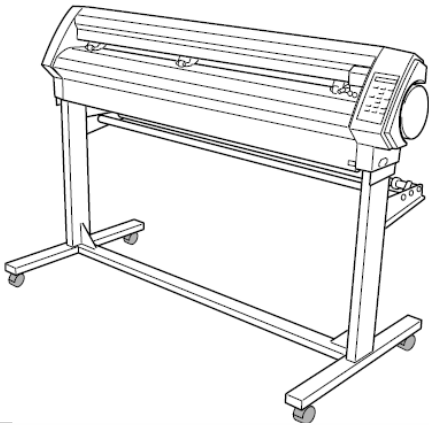
\$69.99



Extended Warranty

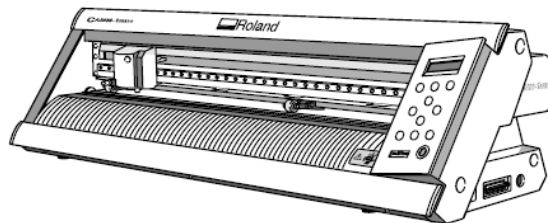
GX-300/400/500

Roland DGA Factory Warranty: 3 Years Flat Labor Rate: \$350 4th Year Extended Warranty: \$400



SV-8/12/15

Roland DGA Factory Warranty: 1 Year Flat Labor Rate: \$250 2nd Year Extended Warranty: \$150



GX-24

Roland DGA Factory Warranty: 2 Years Flat Labor Rate: \$250 3rd-4th Year Extended Warranty: \$325/\$650