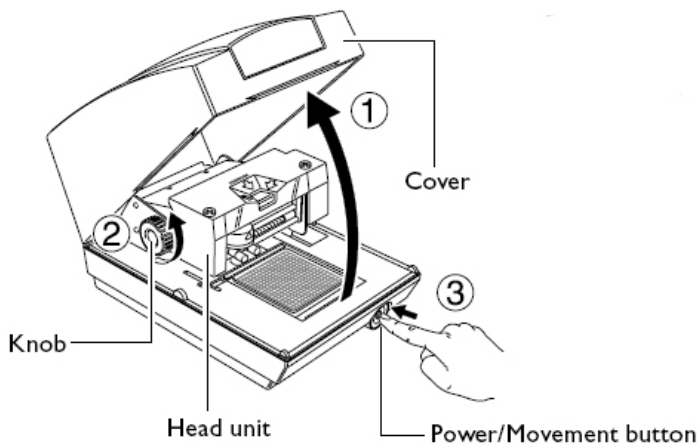


Support Bulletin: RASD-SB00011
Model: Roland MPX-70
Subject: Precautions when loading material
Date: 10/4/2005
Author: RR

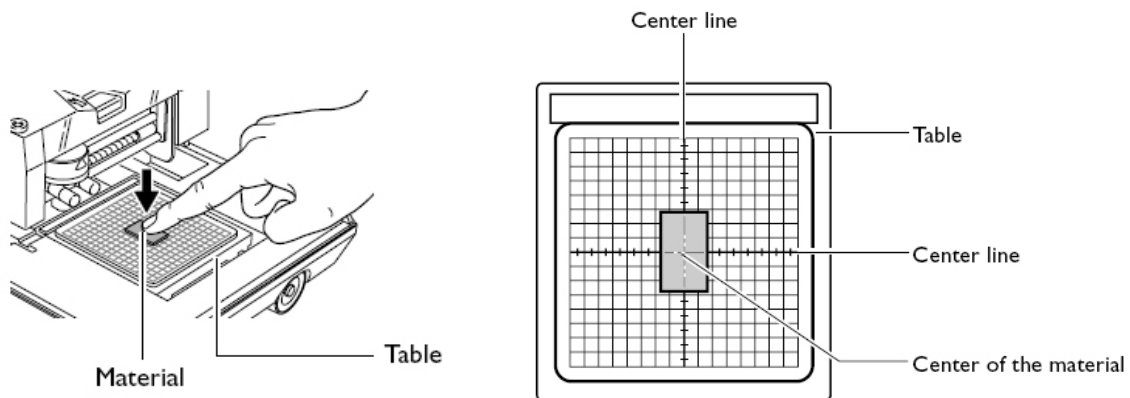
PRECAUTION

When loading material on the Roland MPX-70, please refer to the following instructions as to not damage the pins of the print head cartridge and/or throw off the origin setting of the machine.

1. Open the cover.
2. Loosen the knob on the left hand side of the machine.
3. Press the Power/Movement button to initialize the machine.



4. Place the material in the center of the grid and press down gently to secure it in place.



Support Bulletin: RASD-SB00011

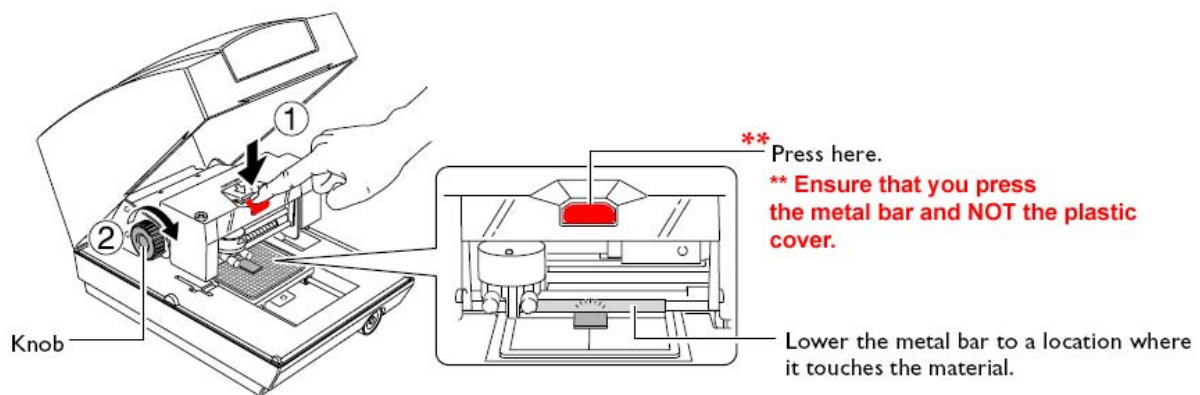
Model: Roland MPX-70

Subject: Precautions when loading material

Date: 10/4/2005

Author: RR

5. Press the Power/Movement button to move the table to the center.
6. Press the Metal bar at the location shown (#1) being sure not to press the plastic housing. Lower the head unit slowly until the lower metal bar is in contact with the material.



7. Once the head is in position, tighten the knob on the left hand side (#2) to secure the head unit in place.

NOTES:

- A. When lowering the head unit, be sure to press down at the location specified in the steps above. Failure to do so can cause inaccurate height alignment and possible head damage.
- B. Lower the head unit slowly. Lowering it too quickly or forcefully may damage the surface of the material.
- C. When lowering the head unit, the metal bar also descends, and contacts the material. Once the knob is secured the metal portion will rise slightly, but this does not affect the loading or positioning of the material.